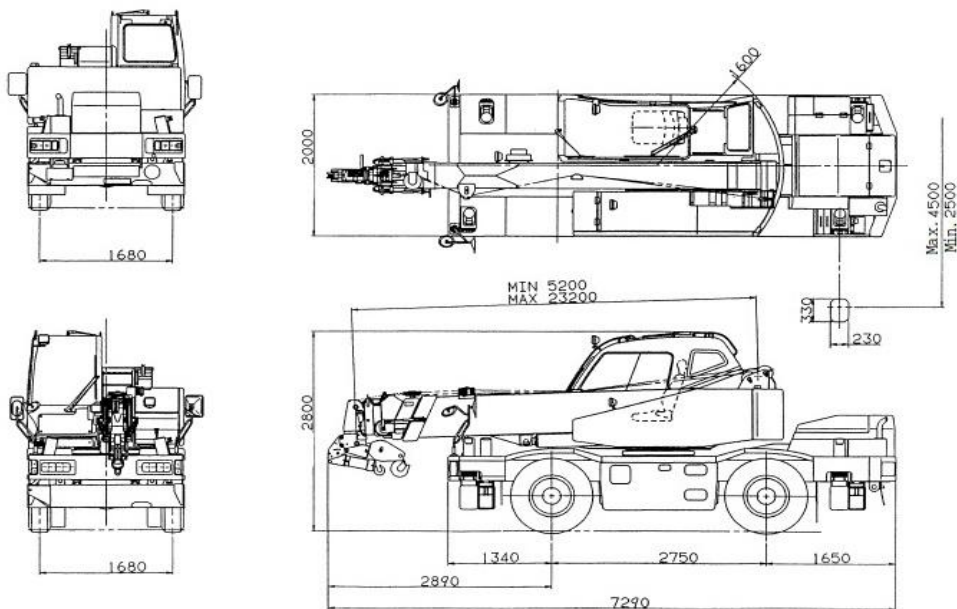


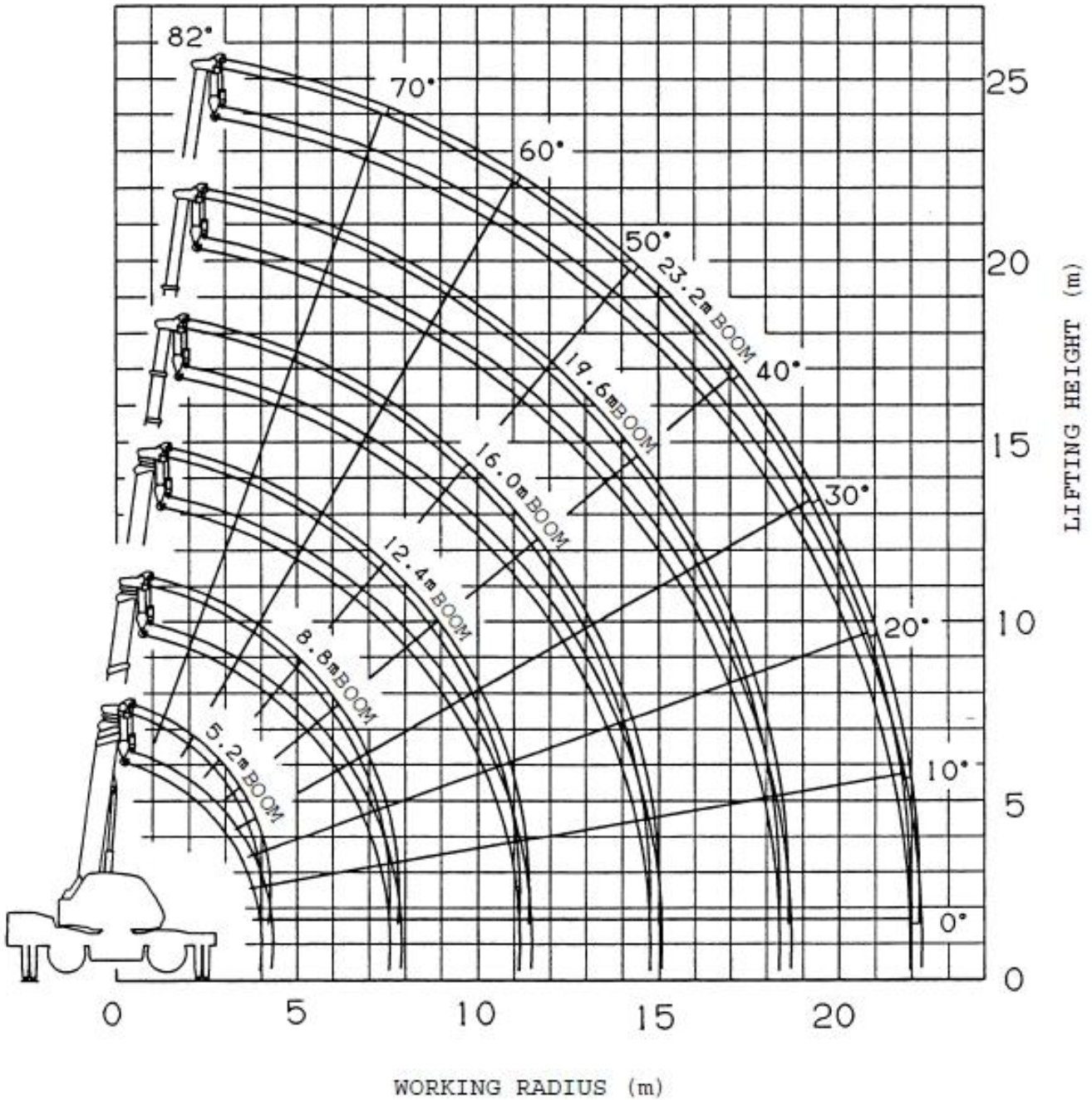
### TADANO TR-100ML

CRANE SPECIFICATIONS		
<b>Max. Lifting Capacity</b>	4.9 ton (4,900 kg.)	Working Radius 3.9 m.
<b>Boom</b>	Boom Section	6 Sections
	Length	5.2 / 8.8 / 12.4 / 16.0 / 19.6 / 23.2 m.
<b>Dimensions</b>	Length	7.29 m.
	Width	2.0 m.
	Height	2.8 m.
<b>Wire Rope</b>	Main Winch	10mm. x 127m. (Diameter x Length) Spin-resistant wire rope
	Auxiliary Winch	10mm. x 55m. (Diameter x Length) Spin-resistant wire rope
<b>Outriggers</b>	3 Stages	Fully extended width 4.5m.
		Middle extended width 3.5m.
		Minimum extended width 2.5m.
<b>Weights</b>	Total	12,195 kg.
	Front	6,090 kg.
	Rear	6,105 kg.

### DIMENSIONS (1/100)



**WORKING RADIUS – LIFTING HEIGHT**



## TOTAL RATED LOADS

With outriggers set

(BOOM)

Unit: ton

		Outriggers fully extended (4.5m)					-360° -	
A \ B		5.2m	8.8m	12.4m	16.0m	19.6m	23.2m	
1.0m		10.00(4.90)	4.90					
1.5m		10.00(4.90)	4.90	4.90				
2.0m		10.00(4.90)	4.90	4.90	4.00			
2.5m		10.00(4.90)	4.90	4.90	4.00	3.50		
3.0m		8.00(4.90)	4.90	4.90	4.00	3.50	2.00	
3.5m		6.10(4.90)	4.90	4.90	4.00	3.50	2.00	
4.0m		5.40(4.90)	4.90	4.90	4.00	3.50	2.00	
4.5m	(3.9m)		4.60	4.20	4.00	3.50	2.00	
5.0m			4.20	3.80	3.55	3.15	2.00	
5.5m			3.80	3.45	3.15	2.90	2.00	
6.0m			3.35	3.15	2.85	2.70	2.00	
7.0m			2.75	2.65	2.38	2.30	1.80	
8.0m			2.45(7.5m)	2.20	2.00	1.95	1.60	
9.0m				1.75	1.75	1.70	1.45	
10.0m				1.38	1.55	1.50	1.30	
11.0m				1.10	1.30	1.33	1.20	
12.0m					1.08	1.13	1.10	
13.0m					0.90	0.97	1.00	
14.0m					0.75	0.83	0.86	
15.0m					0.65(14.7m)	0.70	0.75	
16.0m						0.60	0.66	
17.0m						0.50	0.57	
18.0m						0.42	0.50	
19.0m						0.40(18.3m)	0.42	
20.0m							0.35	
21.9m							0.26	
a (°)		0 ~ 82						

A = Boom length

B = Working radius

a = Boom angle range (for the unladen condition)

(BOOM)

Unit : ton

		Outriggers middle extended (3.5m)				-Over sides-	
A \ B	5.2m	8.8m	12.4m	16.0m	19.6m	23.2m	
1.0m	10.00(4.90)	4.90					
1.5m	10.00(4.90)	4.90	4.90				
2.0m	10.00(4.90)	4.90	4.90	4.00			
2.5m	10.00(4.90)	4.90	4.90	4.00	3.50		
3.0m	8.00(4.90)	4.90	4.90	4.00	3.50	2.00	
3.5m	6.10(4.90)	4.90	4.90	4.00	3.50	2.00	
4.0m	5.40(4.90)	4.90	4.90	4.00	3.50	2.00	
4.5m	(3.9m)	4.55	4.20	4.00	3.50	2.00	
5.0m		3.75	3.65	3.40	3.15	2.00	
5.5m		3.10	3.00	3.00	2.90	2.00	
6.0m		2.60	2.55	2.60	2.70	2.00	
7.0m		1.90	1.85	2.00	2.15	1.80	
8.0m		1.60(7.5m)	1.35	1.55	1.70	1.60	
9.0m			1.00	1.20	1.35	1.40	
10.0m			0.75	0.95	1.08	1.13	
11.0m			0.55	0.73	0.87	0.93	
12.0m				0.56	0.70	0.76	
13.0m				0.43	0.55	0.62	
14.0m				0.33	0.43	0.51	
15.0m				0.27(14.7m)	0.35	0.42	
16.0m					0.25	0.33	
17.0m					0.18	0.25	
18.0m						0.19	
a (°)			0~82		3~82	25~82	

A = Boom length

B = Working radius

a = Boom angle range (for the unladen condition)

